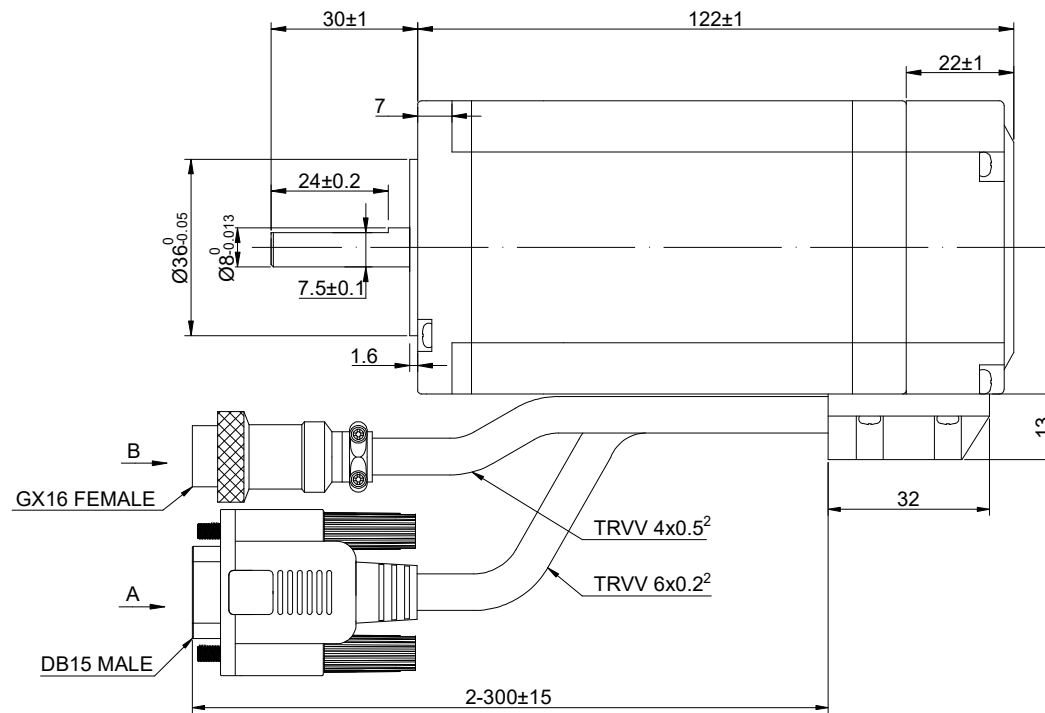
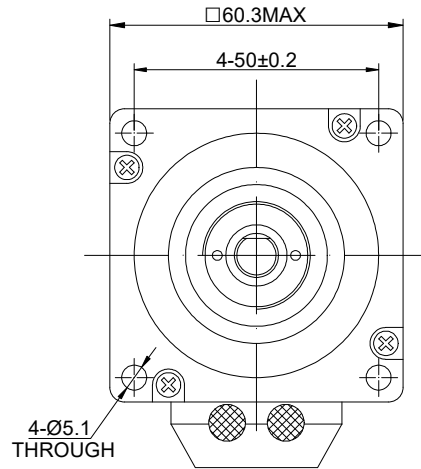
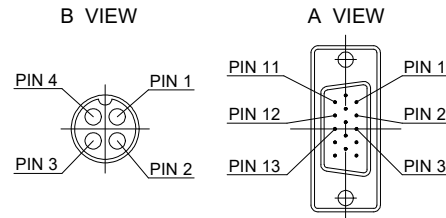


REV.	REVISION RECORD	BY	DATE
0	ORIGIN	LDJ	5.7.2026

CUSTOMER'S MODEL: NO MODEL  
END COVER COLOR: BLACK



SPECIFICATION	CONNECTION	BIPOLAR
AMPS/PHASE		5.00
RESISTANCE/PHASE(Ohms)@25°C		0.60±10%
INDUCTANCE/PHASE(mH)@1KHz		2.60±20%
HOLDING TORQUE(Nm)[lb-in]		4.00 [35.43]
STEP ANGLE(°)		1.80
STEP ACCURACY(NON-ACCUM)		±5.00%
ROTOR INERTIA(g-cm²)		1080
DETENT TORQUE(g-cm)		1600
AMBIENT TEMPERATURE		-10°C~50°C[14°F~122°F]
INSULATION CLASS		B 130°C[266°F]
TEMPERATURE RISE		MAX.80°C



ENCODER RESOLUTION:1000PPR(4000CPR)

15-PIN DB MALE PLUG	1	2	3	11	12	13
DESCRIPTION	EA+	VCC	GND	EB+	EB-	EA-

MOTOR CONNECTION		
GX16 PIN NO	BIPOLAR	WINDING
1	A+	
2	A-	
3	B+	
4	B-	

FULL STEP 2 PHASE-Ex.,WHEN FACING MOUNTING END (X)						DIMENSIONS ARE IN MILLIMETERS.	
STEP	A+	B+	A-	B-	CCW	CW	TOLERANCES AS BELOW:
1	+	+	-	-			DECIMALS
2	-	+	+	ANGLES			
3	-	-	+	X ±0.5			
4	+	-	-	X.X ±0.25			
							X.XX ±0.13

**STEPPERONLINE®**

**STEPPER MOTOR**

**24HS40A-5004D-E1000**

THIS DOCUMENT SHALL NOT BE REPRODUCED NOR SHALL THE INFORMATION CONTAINED HEREIN BE USED BY OR DISCLOSED TO OTHERS UNLESS EXPRESSLY AUTHORIZED IN BY WRITING STEPPERONLINE.

SIGNATURE		DATE
DRN	LDJ	5.7.2026
APVD	LJ	5.7.2026